



Rain sensor



Copyright by Opel Automobile GmbH, Rüsselsheim am Main, Germany
The information contained in this publication is effective as of the date indicated below. Opel Automobile GmbH reserves the right to make changes to the technical specifications, features and design of the vehicles relative to the information in this publication as well as changes to the publication itself.

Edition: September 2017, Opel Automobile GmbH, Rüsselsheim am Main



Subject	Page	Link
Rain sensor Type overview Gel pad → OK / NOK validation aid	3 - 6	
Rain sensor by vehicle model	7 - 13	
Repair procedure	14 - 18	
Service repair kit	19	
Service gel pads	20	



Rain sensor Type overview



Gel pad → OK / NOK validation aid

Rain sensor Type 1

☑ OK



☒ NOK



Rain sensor Type 2

☑ OK




☒ NOK




Rain sensor Type overview



Rain sensor Type 3

	<p>This system works without a gel pad. The rain sensor usually does not get damaged during removal.</p>
---	--

Rain sensor Type 4

	<p>This system works without a gel pad. The rain sensor usually does not get damaged during removal.</p>
--	--



Rain sensor Type overview



Gel pad → OK / NOK validation aid

Rain sensors Type 5

☑ OK



☒ NOK



☑ OK



☒ NOK



Rain sensor Type overview



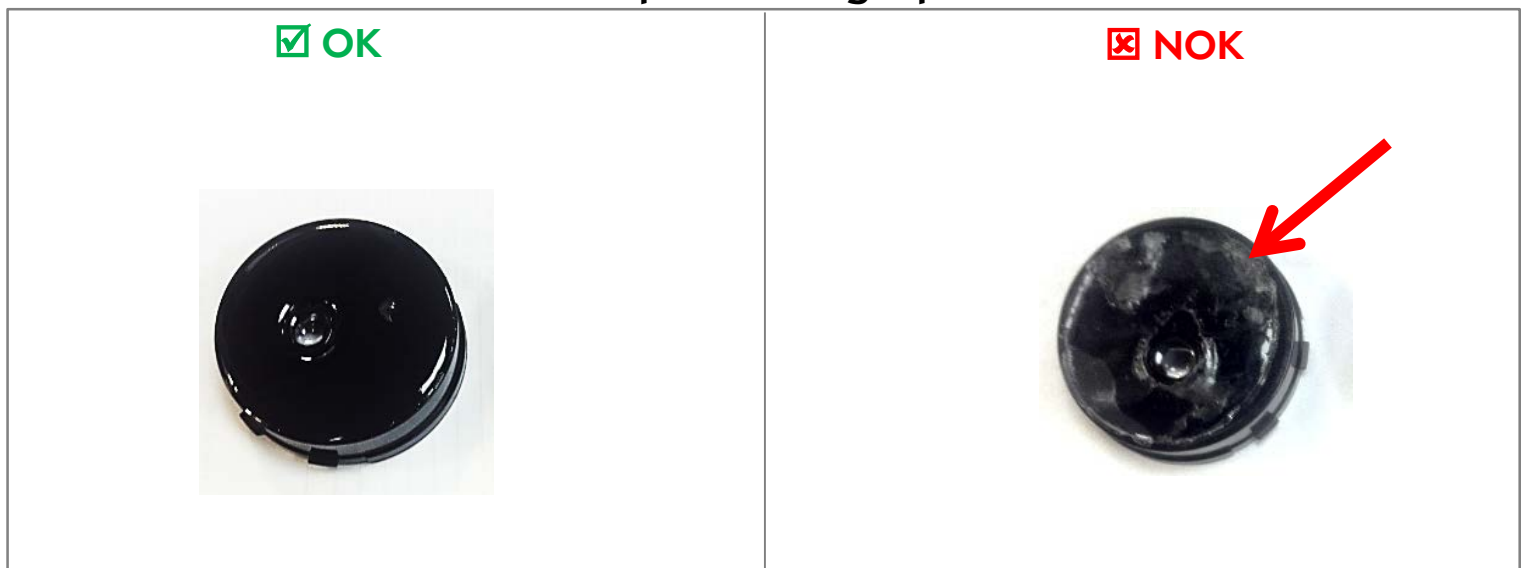
Gel pad → OK / NOK validation aid

Rain sensor Type 6



The rain sensor is clipped into the base plate. The base plate is fixed on the windshield with an integrated gel pad.

base plate with gel pad



Rain sensor by vehicle model



Model	Sensor details			
Model	Description in EPC	Part no.	Chassis break point	Type
ADAM	Sensor, rain and light, rain sensitive wipers and automatic headlamps	22761863	(C) -G6999999	5
ADAM	Sensor, rain and light, rain sensitive wipers and automatic headlamps	84026376	(C) H6000001-	5
Ampera-e	Sensor, rain and light, rain sensitive wipers and automatic headlamps	20971881		5
Antara	Sensor, windscreen	25831579	(C) 70085076- (C) 93000001- (C) 9B000001-	4
Astra-G	Windscreen rain sensor (exc. heat reflective windscreen)	93170245		2
Astra-H	Sensor, windscreen (Ident EX) (exc. heat reflective windscreen)	93178787		2
Astra-H	Sensor, windscreen (Ident EY) (for heat reflective windscreen)	93178788		2
Astra-J	Sensor, rain and light, sensitive wipers and automatic headlamps (for automatic headlamps with tunnel detection)	13311618	(C) -C0999999 (C) -C1999999 (C) -C3999999 (C) -C8999999 (C) -CG999999	3
Astra-J 5-door, Sedan, Sports Tourer	Sensor, rain and light, sensitive wipers and automatic headlamps	20976593	(C) D0000001- (C) D1000001- (C) D3000001- (C) D8000001- (C) DG000001-	5



Rain sensor by vehicle model



Model	Sensor details			
-------	----------------	--	--	--

Model	Description in EPC	Part no.	Chassis break point	Type
Astra-J GTC	Sensor, rain and light, sensitive wipers and automatic headlamps	22845143	(C) D0000001- (C) D1000001- (C) D3000001- (C) D8000001- (C) DG000001-	3
Astra-K	Sensor, rain and light, rain sensitive wipers and automatic headlamps (except POC CJ2, dual zone climate control)	20976593	(C) -G8999999 (C) -GG999999	5
Astra-K	Sensor, rain and light, rain sensitive wipers and automatic headlamps (for dual zone climate control, POC CJ2)	20971881	(C) -G8999999 (C) -GG999999	5
Astra-K	Sensor, rain and light, rain sensitive wipers and automatic headlamps (except POC CJ2, dual zone climate control)	23421319	(C) H8000001- (C) HG000001-	5
Astra-K	Sensor, rain and light, rain sensitive wipers and automatic headlamps (except POC CJ2, dual zone climate control)	84149672	(C) H8000001- (C) HG000001-	5
Cascada	Sensor, rain and light, rain sensitive wipers and automatic headlamps	20976593		5
Corsa-C	Sensor, windscreen (Ident JK) (ex. heat reflective windscreen)	9199886	(C) -63999999 (C) -64999999 (C) -66999999	2
Corsa-C Combo	Sensor, windscreen (Ident JK) (ex. heat reflective windscreen)	9199886	(C) -63999999 (C) -64999999 (C) -66999999	2
Corsa-C Combo	Sensor, windscreen (Ident UC) (for heat reflective windscreen)	93171185	(C) -63999999 (C) -64999999 (C) -66999999	2



Rain sensor by vehicle model



Model	Sensor details			
Model	Description in EPC	Part no.	Chassis break point	Type
Corsa-D	Sensor, windscreen	13215977	(C) -A4999999 (C) -A6999999	1
Corsa-D	Sensor, windscreen (Ident SD)	13280250	(C) B4000001- (C) B6000001-	1
Corsa-E	Sensor, rain and light, rain sensitive wipers and automatic headlamps	22761863	(C) -G4999999 (C) -G6999999	5
Corsa-E	Sensor, rain and light, rain sensitive wipers and automatic headlamps	84026376	(C) H4000001- H4999999 (C) H6000001- H6999999	5
Corsa-E	Sensor, rain and light, rain sensitive wipers and automatic headlamps	39118702	(C) J4000001- (C) J6000001-	5
Crossland X	Sensor, rain and light, rain sensitive wipers and automatic headlamps	3642972		5
Grandland X	Sensor, rain and light, rain sensitive wipers and automatic headlamps	3642972		5
Insignia-A	Sensor, rain and light, rain sensitive wipers and automatic headlamps (for automatic headlamps with tunnel detection)	22845143	(C) -D1999999	3
Insignia-A	Sensor, rain and light, rain sensitive wipers and automatic headlamps (exc. headlamps, automatic on-off) (except front camera)	22845143	(C) E1000001-	3



Rain sensor by vehicle model



Model	Sensor details			
Model	Description in EPC	Part no.	Chassis break point	Type
Insignia-A	Sensor, rain and light, rain sensitive wipers and automatic headlamps (for front camera, POC UFL)	22761862	(C) E1000001-	5
Insignia-A	Sensor, rain and light, rain sensitive wipers and automatic headlamps (for front camera, POC UFL) (except production option code ASV)	13372765	(C) G1000001-	5
Insignia-B	Sensor, rain and light, rain sensitive wipers and automatic headlamps (for rain sensor, RPO CE1) (for headlamps, automatic on-off with tunnel detection, RPO TTW), (except RPO ASV, air moisture sensor) (except RPO UHX, lane departure warning)	84006818		5
Insignia-B	Sensor, rain and light, rain sensitive wipers and automatic headlamps (for rain sensor, RPO CE1) (for headlamps, automatic on-off with tunnel detection, RPO TTW), (except RPO ASV, air moisture sensor) (for lane departure warning, RPO UHX)	84006819		5
Insignia-B	Sensor, rain and light, rain sensitive wipers and automatic headlamps (except RPO UHX, lane departure warning) (for air moisture sensor, RPO ASV) (for rain sensor, RPO CE1) (for headlamps, automatic on-off with tunnel detection, RPO TTW)	84138307		5



Rain sensor by vehicle model



Model	Sensor details			
Model	Description in EPC	Part no.	Chassis break point	Type
Insignia-B	Sensor, rain and light, rain sensitive wipers and automatic headlamps (for lane departure warning, RPO UHX) (for air moisture sensor, RPO ASV) (for rain sensor, RPO CE1) (for headlamps, automatic on-off with tunnel detection, RPO TTW)	84138306		5
Meriva-B	Sensor, windscreen (Ident SD)	13280250		1
Mokka Mokka X	Sensor, humidity, light	95157887		3
Mokka Mokka X	Sensor, rain and light, rain sensitive wipers and automatic headlamps, without temperature sensor	20976593		5
Mokka Mokka X	Sensor, rain and light, rain sensitive wipers and automatic headlamps, with temperature sensor	20971881		5
Movano-A	Windscreen rain sensor	93857508		2
Movano-B	Sensor, rain and light, rain sensitive wipers and automatic headlamps	93452350		6
Omega-B	Windscreen rain sensor (Ident UA) (for heat reflective windscreen)	93171184		2
Omega-B	Windscreen rain sensor (Ident JG) (exc. heat reflective windscreen)	93170202		2
Signum	Sensor, windscreen (Ident JL) (exc. heat reflective windscreen)	93171748	(C) -41999999	2



Rain sensor by vehicle model



Model	Sensor details			
-------	----------------	--	--	--

Model	Description in EPC	Part no.	Chassis break point	Type
Signum	Sensor, windscreen (Ident UD) (for heat reflective windscreen)	93171749	(C) -41999999	2
Signum	Sensor, windscreen (Ident EX) (for headlamps, automatic on-off) (exc. heat reflective windscreen)	93178787	(C) 51000001-	2
Signum	Sensor, windscreen (Ident EY) (for headlamps, automatic on-off) (for heat reflective windscreen)	93178788	(C) 51000001-	2
Signum	Sensor, windscreen (Ident XX) (exc. headlamps, automatic on-off) (exc. heat reflective windscreen)	93183599	(C) 51000001-	2
Signum	Sensor, windscreen (Ident XY) (exc. headlamps, automatic on-off) (for heat reflective windscreen)	93183600	(C) 51000001-	2
Vectra-C	Sensor, windscreen (Ident JL) (exc. heat reflective windscreen)	93171748	(C) -41999999 (C) -48999999	2
Vectra-C	Sensor, windscreen (Ident UD) (for heat reflective windscreen)	93171749	(C) -41999999 (C) -48999999	2
Vectra-C	Sensor, windscreen (Ident EX) (for headlamps, automatic on-off) (exc. heat reflective windscreen)	93178787	(C) 51000001- (C) 58000001-	2
Vectra-C	Sensor, windscreen (Ident EY) (for headlamps, automatic on-off) (for heat reflective windscreen)	93178788	(C) 51000001- (C) 58000001-	2
Vectra-C	Sensor, windscreen (Ident XX) (exc. headlamps, automatic on-off) (exc. heat reflective windscreen)	93183599	(C) 51000001- (C) 58000001-	2
Vectra-C	Sensor, windscreen (Ident XY) (exc. headlamps, automatic on-off) (for heat reflective windscreen)	93183600	(C) 51000001- (C) 58000001-	2



Rain sensor by vehicle model



Model	Sensor details			
Model	Description in EPC	Part no.	Chassis break point	Type
Vivaro-A	Sensor, windscreen (for headlamps automatic on-off)	93857508		2
Vivaro-B	Sensor, rain and light, rain sensitive wipers and automatic headlamps	93452350		6
Zafira-A	Windscreen rain sensor (exc. heat reflective windscreen)	93170245	(C) -22999999 (C) -2H999999	2
Zafira-B	Sensor, rain (exc. heat reflective windscreen) (Ident ES)	13471176	(C) E2000001-	1
Zafira-B	Sensor, rain (for heat reflective windscreen) (Ident ET)	13471177	(C) E2000001-	1
Zafira-C	Sensor, rain and light, sensitive wipers and automatic headlamps	13311618	(C) -C2999999	3
Zafira-C	Sensor, rain and light, sensitive wipers and automatic headlamps	22845143	(C) D2000001- (F) F1000001-	3





For rain sensor Type 1

Initial situation	Procedure
Rain sensor is damaged	<ol style="list-style-type: none">1. Remove the rain sensor and the gel pad2. Clean the contact surface3. New rain sensor is necessary
Gel pad as part of the rain sensor is damaged	<ol style="list-style-type: none">1. Service gel pad needs to be ordered: Part no. 93192891 <p>alternatively:</p> <p>Service repair kit to be used: Part no. 95599252</p>
Replacement of windshield is required	<ol style="list-style-type: none">1. Replace „Windshield for rain sensor“ (→ TIS/ EPC)2. Remove the rain sensor and the gel pad3. a) If gel pad is <u>not</u> damaged → sensor can be re-used on new windshieldb) If gel pad is <u>damaged</u> → Service gel pad needs to be ordered: Part no. 93192891 <p>→ alternatively:</p> <p>Service repair kit to be used: Part no. 95599252</p>





For rain sensor Type 2

Initial situation	Procedure
Rain sensor is damaged	<ol style="list-style-type: none">1. Remove the rain sensor and the gel pad2. Clean the contact surface3. New rain sensor is necessary
Gel pad as part of the rain sensor is damaged	<ol style="list-style-type: none">1. Service repair kit to be used: Part no. 95599252
Replacement of windshield is required	<ol style="list-style-type: none">1. Replace „Windshield for rain sensor“ (→ TIS/ EPC)2. Remove the rain sensor and the gel pad3. a) If gel pad is <u>not damaged</u> → sensor can be re-used on new windshield b) If gel pad is <u>damaged</u> → Service repair kit to be used: Part no. 95599252





For rain sensor Type 3 and Type 4

Initial situation	Procedure
Rain sensor is damaged	<ol style="list-style-type: none">1. Replace the rain sensor (Sensor is installed <u>without</u> a gel pad)
Replacement of windshield is required	<ol style="list-style-type: none">1. Replace „Windshield for rain sensor“ (→ TIS/ EPC)2. Remove the rain sensor Rain sensor usually does not get damaged during removal. Sensor can be re-used on new windshield.

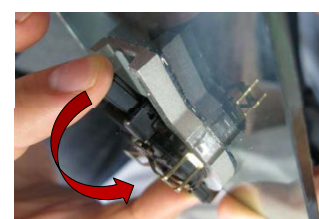
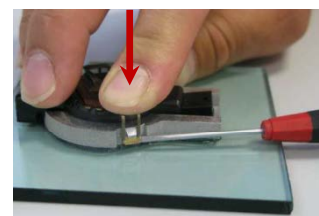


For rain sensor Type 5

Initial situation	Procedure
Rain sensor is damaged	<ol style="list-style-type: none"> 1. Remove the rain sensor and the gel pad* 2. Clean the contact surface 3. New rain sensor is necessary
Gel pad as part of the rain sensor is damaged	<ol style="list-style-type: none"> 1. Service gel pad needs to be ordered: Part no. 95599730
Replacement of windshield is required	<ol style="list-style-type: none"> 1. Replace „Windshield for rain sensor“ (→ TIS/ EPC) 2. Remove the rain sensor and the gel pad* 3. a) If gel pad is <u>not damaged</u> → Sensor can be re-used on new windshield b) If gel pad is <u>damaged</u> → Service gel pad needs to be ordered: Part no. 95599730 alternatively: → Service repair kit to be used: Part no. 95599252

*Directions for removal of the rain sensor:

- The snap fit connections between spring and bracket (2x) can be released by a small standard screwdriver. For releasing the spring it is necessary to push the spring down (approx. 0.3mm).
- To remove the rain/light sensor from the windshield it is necessary to relax the coupling medium (gel).
- The relaxing phase takes at least 30 minutes at 20°C.
- Remove the rain/light sensor from windshield carefully by slow, low forced, repeated movement (connector side).
- Fast and careless movement (e.g. strong pulling) may damage the coupling medium (gel).





For rain sensor Type 6

Initial situation	Procedure
Rain sensor is damaged	<ol style="list-style-type: none"> 1. Replace the rain sensor Rain sensor has to be unclipped from the base plate. Clip new rain sensor into the base plate.
Base plate is damaged	<ol style="list-style-type: none"> 1. Remove the base plate from the windshield. The base plate is equipped with a gel pad. When removing the base plate, the damaged gel stays on the windshield. 2. Clean the contact surface 3. New base plate is necessary: Part no. 95599729
Replacement of windshield is required	<ol style="list-style-type: none"> 1. Replace „Windshield for rain sensor“ (→ TIS/ EPC) 2. Unclip the rain sensor. Sensor can be re-used on new windshield 3. Replace the base plate for the rain sensor: Part no. 95599729. The old base plate must not be re-used. 4. Clip the rain sensor into the new base plate.



Service repair kit



Service repair kit

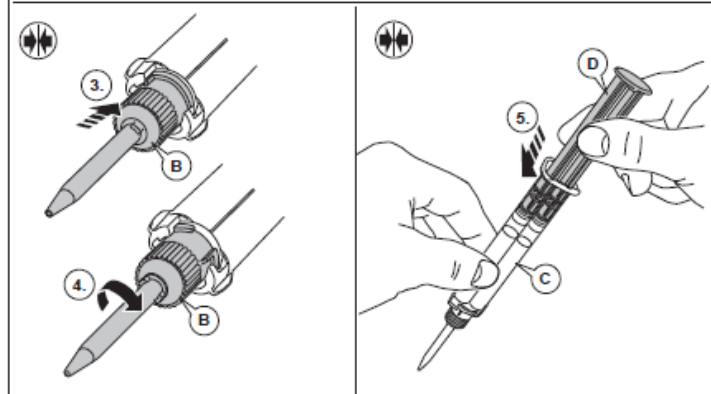
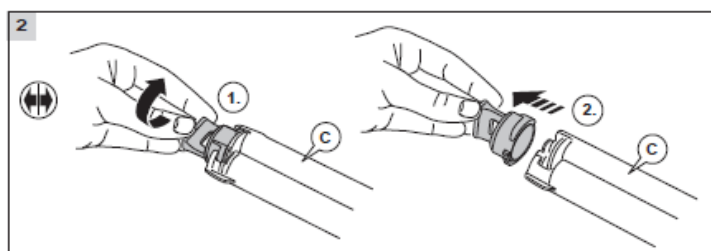
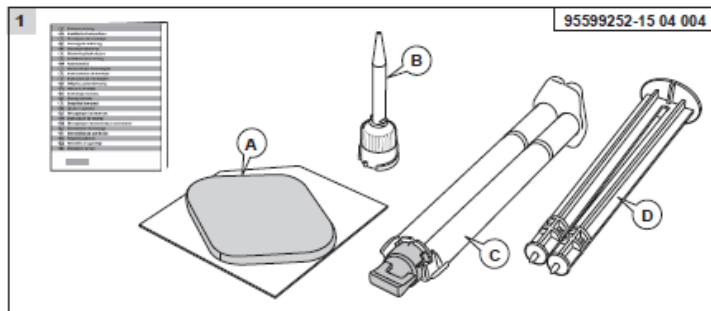
Part no.	Description in EPC	Applicable for type
95599252	Pad, foam, Repair kit (for rain sensor)	1, 2 and 5

The following instructions are part of the parts package when ordering the Service repair kit. Please also see the instructions on the internet:

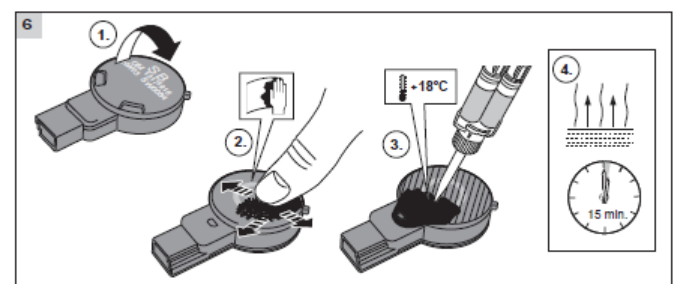
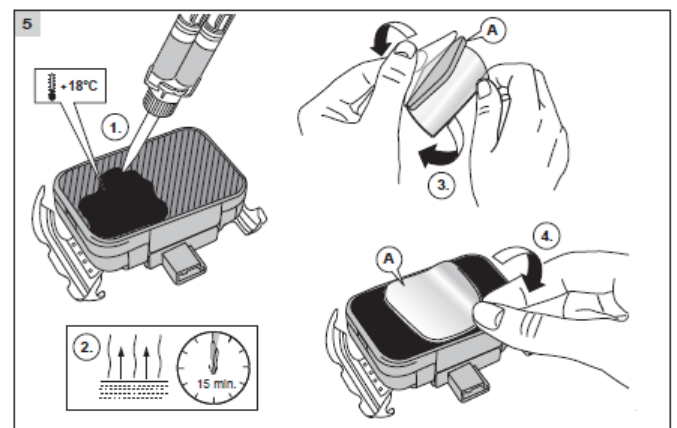
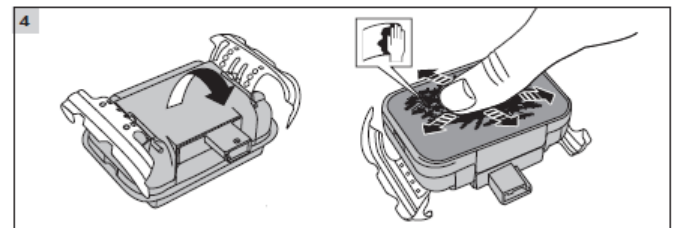
http://www.ifz-berlin.de/ins_pdf/95599252.pdf

part number: 95599252

→ Check NEW UPDATES → www.ifz-berlin.de



part number: 95599252



Service gel pads – for different rain sensor types available

Part no.	Description in EPC	Applicable for type
93192891	Pad, foam, for rain sensor	1
95599730	Pad, self-adhesive (for rain sensor, RPO CE1)	5
95599729	Plate, base, sensor	6

For retrofitted rain sensors at older vehicle models: Service gel pad

Part no.	Description in EPC
93160927	Pad, self-adhesive, windscreen rain sensor

